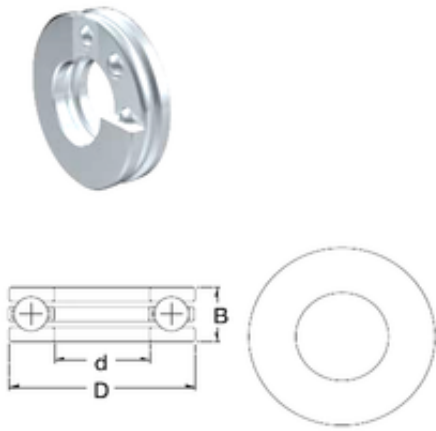


ZEN 51102 thrust ball bearings

Bearing No. 51102



51102 Bearing 2D drawings and 3D CAD models

Size	15x28x9 mm
Bore Diameter	15 mm
Outer Diameter	28 mm
Width	9 mm
d	15 mm
D	28 mm
H	9 mm
Basic dynamic load rating (C)	9,36 kN
Basic static load rating (C0)	11,2 kN
(Grease) Lubrication Speed	6300 r/min