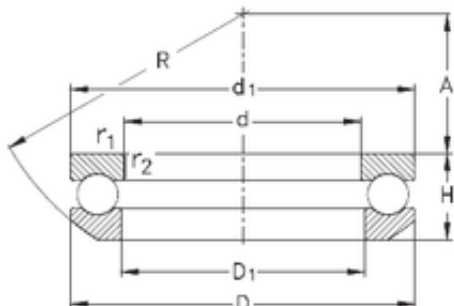


NKE 53212 thrust ball bearings

Bearing No. 53212



53212 Bearing 2D drawings and 3D CAD models

Size	60x95x28 mm
Bore Diameter	60 mm
Outer Diameter	95 mm
Width	28 mm
d	60 mm
D	95 mm
H	28 mm
d1	95 mm
r1 min.	1 mm
r2 min.	1 mm
A	32,5 mm
D1	62 mm
R	72 mm
Weight	0,66 Kg
Basic dynamic load rating (C)	62 kN
Basic static load rating (C0)	140 kN