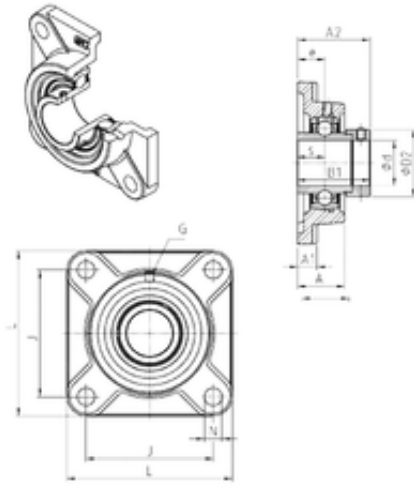


SNR EXF215 bearing units

Bearing No. EXF215



EXF215 Bearing 2D drawings and 3D CAD models

Bore Diameter	75 mm
d	75 mm
e	34 mm
s	37,3 mm
A	56 mm
A1	22 mm
B1	92,1 mm
D2	102 mm
J	159 mm
L	200 mm
N	19 mm
Thread (G)	M10x1
A2	88,8 mm
Weight	6,5 Kg
Basic dynamic load rating (C)	66 kN