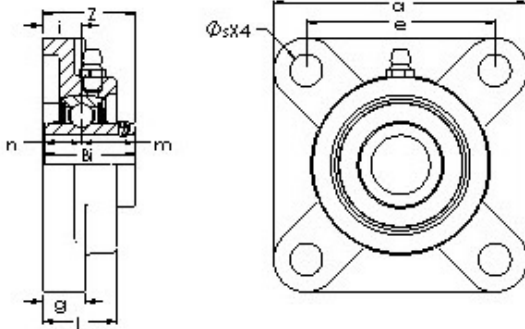




NTN BEARING USA CORP.



AST UCF 208-24E bearing units

Bearing No. UCF 208-24E

Bore Diameter	38,1 mm
Bearing Type	Cast iron housing
Dynamic Load Rating (Cr)	6,546
Static Load Rating (Cor)	4,011
Shaft Dia. (Fw)	1.5000
Mounting Hole Center-to-Center (e)	4.0000
Housing Length (a)	5.1250
Housing Base Thickness (g)	0.5940
Bearing Inner Race Width (Bi)	1.9370
Bearing Inner Race Width - Short Side (n)	0.7480
Bearing Inner Race Width - Extended Side (m)	1.1890
Mounting Bolt Size	0.5000
Bearing Number - UC 208-24	UC 20824
Housing Number	F 208E
Mounting Hole Dia. (s)	0.5469
Flange Assembly Height (Z)	2.0310
Flange Height (l)	1.4060
Mounting Base to Bearing Center (i)	0.8281
Weight (g)	1,905.08
Material	Cast iron housing, chrome steel bearing

UCF 208-24E Bearing 2D drawings and 3D CAD models