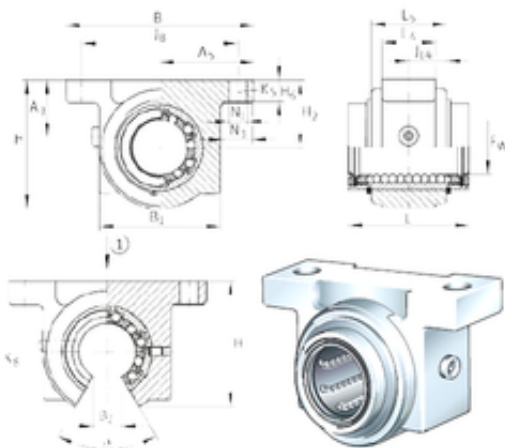


INA KGBO50-PP-AS bearing units

Bearing No. KGBO50-PP-AS



KGBO50-PP-AS Bearing 2D drawings and 3D CAD models

Bore Diameter	50 mm
Fw	50 mm
B	135 mm
H6	14 mm
A5	67,5 mm
L4	52 mm
L5	72 mm
N3	18 mm
B1	96 mm
B2	22,7 mm
H	93 mm
H2	50 mm
N1	11 mm
A3	34 mm
L	100 mm
JB	116 mm
Thread (K5)	M10
JL4	28 mm
Weight	2,46 Kg
Basic dynamic load rating (C)	8,9 kN