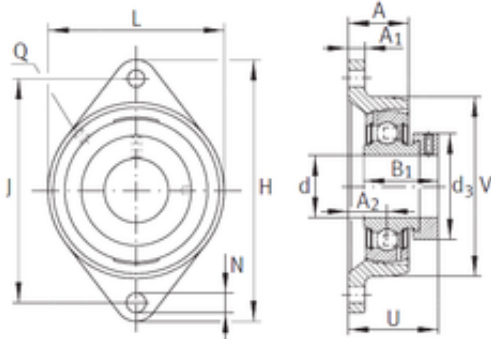




NTN BEARING USA CORP.

INA PCJT1-15/16 bearing units



Bearing No. PCJT1-15/16

PCJT1-15/16 Bearing 2D drawings and 3D CAD models

Bore Diameter	49,213 mm
d	49,213 mm
V	116,51 mm
U	60,808 mm
Thread (Q)	1/8 NPT
d3	69,012 mm
A	43,002 mm
A1	16,002 mm
B	43,79 mm
H	191,008 mm
J	156,997 mm
L	116,51 mm
N	16,993 mm
A2	27,991 mm
Category	Flange Block Bearings
Inventory	0.0
Manufacturer Name	SCHAEFFLER GROUP
Minimum Buy Quantity	N/A
Weight / Kilogram	2.359
Product Group	M06110
Number of Mounting Holes	2
Mounting Method	Eccentric Collar
Housing Style	2 Bolt Flange Block
Rolling Element	Ball Bearing
Housing Material	Cast Iron
Expansion / Non-expansion	Non-expansion



NTN BEARING USA CORP.

Mounting Bolts	0.669 Inch
Relubricatable	Yes
Insert Part Number	GRA115NPPB
Seals	Double Lip Contact
Housing Configuration	1 Piece Solid
Pilot Configuration	No Pilot
Inch - Metric	Inch
Long Description	2 Bolt Flange Block; 1-15/16" Bore; 6.2" Bolt Circle; 6.181" Bolt Spacing; 1 Piece Solid; Eccentric Collar Mount; Cast Iron; Ball Bearing; 1.721" Length Thru Bore; Relubricatable;
Other Features	Single Row With Set Screw
Category	Flange Block
UNSPSC	31171501
Harmonized Tariff Code	8483.20.40.40
Noun	Bearing
Keyword String	Flanged
Manufacturer URL	http://www.ina.com
Manufacturer Item Number	PCJT1-15/16
Weight / LBS	5.513
Bolt Spacing	6.181 Inch 157 Millimeter
Bore	1.938 Inch 49.225 Millimeter
Nominal Bolt Circle Diameter Round	6.2 Inch 157 Millimeter
Length Thru Bore	1.721 Inch 43.713 Millimeter
Cartridge Pilot Depth	0 Inch 0 Millimeter
Cartridge Pilot Diameter	0 Inch 0 Millimeter