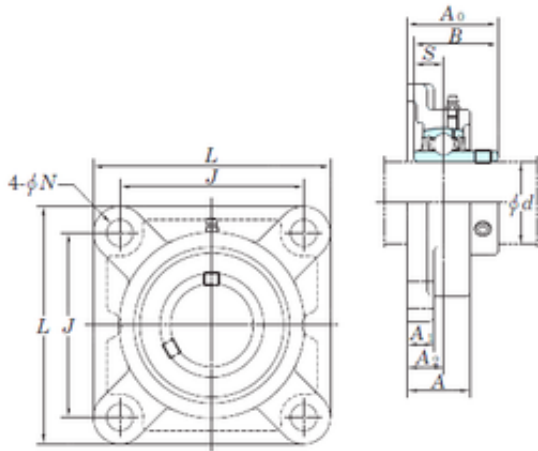


KOYO UCFX10-31 bearing units



Bearing No. UCFX10-31

Bore Diameter	49,2125 mm
d	49,2125 mm
A0	59,4 mm
A	44 mm
A1	20 mm
B	55,6 mm
J	130 mm
L	162 mm
N	19 mm
S	22,2 mm
Bolt (G)	M16
A2	26 mm
Weight	3,7 Kg
Basic dynamic load rating (C)	43,4 kN
Basic static load rating (C0)	29,4 kN

UCFX10-31 Bearing 2D drawings and 3D CAD models