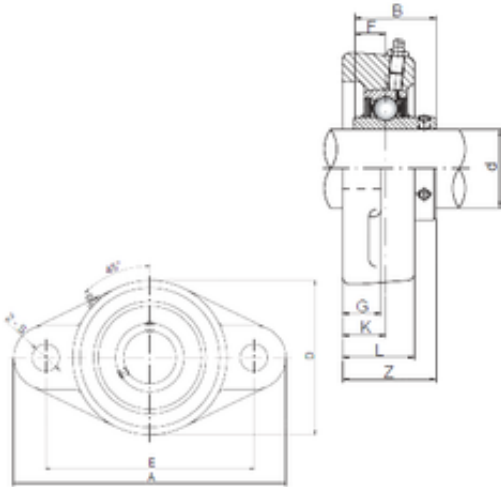


30 mm x 80 mm x 38,1 mm ISO UCFL206 bearing units

Bearing No. UCFL206



Bore Diameter	30 mm
d	30 mm
B	38,1 mm
Z	40,2 mm
A	148 mm
D	80 mm
E	117 mm
F	15,9 mm
G	13 mm
K	18 mm
L	31 mm
S	16 mm
Bolt (G)	M14

UCFL206 Bearing 2D drawings and 3D CAD models