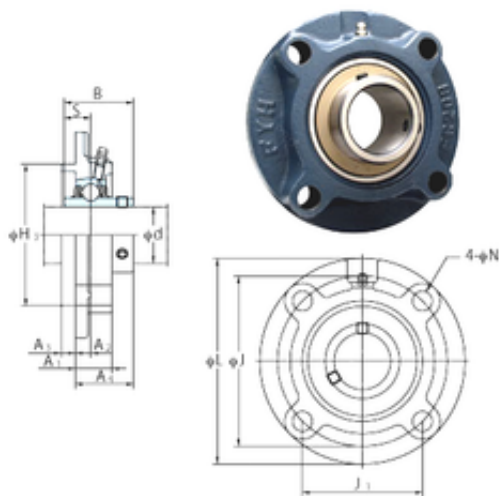


FYH UCFCX13 bearing units

Bearing No. UCFCX13



UCFCX13 Bearing 2D drawings and 3D CAD models

Bore Diameter	65 mm
d	65 mm
H3	140 mm
A4	55,4 mm
A1	33 mm
B	74,6 mm
J	165 mm
L	194 mm
N	16 mm
S	30,2 mm
Bolt (G)	M14
A2	11 mm
A3	20 mm
J1	116,7 mm
Weight	5,7 Kg
Basic dynamic load rating (C)	62,2 kN
Basic static load rating (C0)	44,1 kN
Category	Bearings
Inventory	0.0
Manufacturer Name	FYH BEARING UNITS
Minimum Buy Quantity	N/A
Weight / Kilogram	0
Product Group	M06110