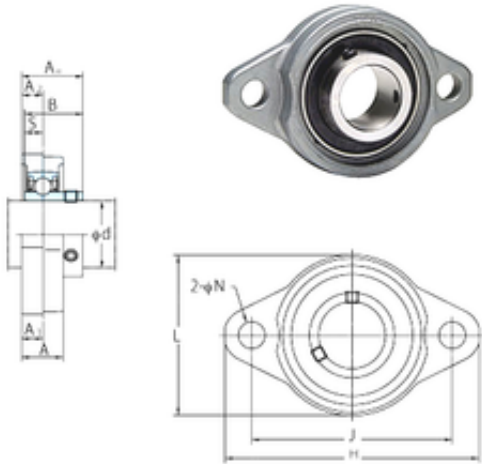


FYH UFL004 bearing units

Bearing No. UFL004



UFL004 Bearing 2D drawings and 3D CAD models

Bore Diameter	20 mm
d	20 mm
A0	22 mm
A	16 mm
A1	8 mm
B	21 mm
H	90 mm
J	71 mm
L	55 mm
N	10 mm
S	7 mm
Bolt (G)	M8
A2	8 mm
Weight	0,18 Kg
Basic dynamic load rating (C)	9,4 kN
Basic static load rating (C0)	5,05 kN
Category	Mounted Units & Inserts
Inventory	0.0
Manufacturer Name	FYH BEARING UNITS
Minimum Buy Quantity	N/A
Weight / Kilogram	0
Product Group	M06110