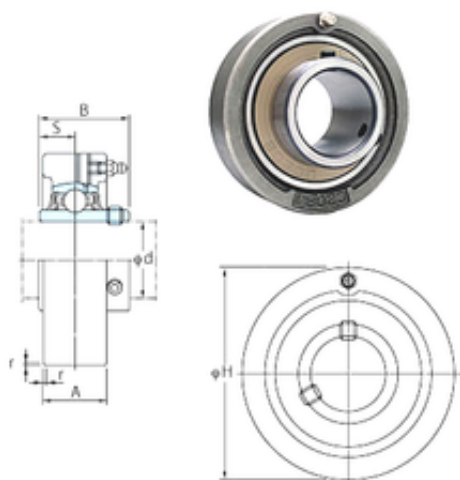


FYH UCCX05-16 bearing units

Bearing No. UCCX05-16



Bore Diameter	25,4 mm
Width	38,1 mm
d	25,4 mm
r	1,5 mm
A	27 mm
B	38,1 mm
H	90 mm
S	15,9 mm
Weight	1 Kg
Basic dynamic load rating (C)	19,5 kN
Basic static load rating (C0)	11,3 kN

UCCX05-16 Bearing 2D drawings and 3D CAD models