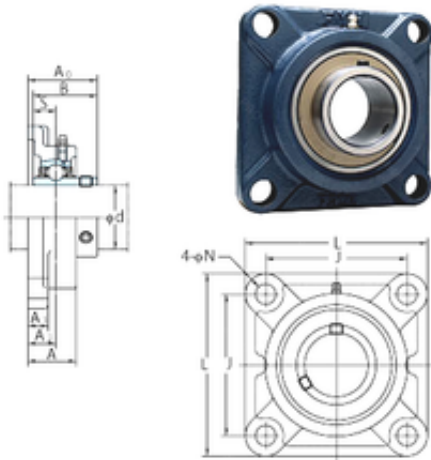


FYH UCF202-10 bearing units



Bearing No. UCF202-10

Bore Diameter	15,875 mm
d	15,875 mm
A0	33,3 mm
A	25,5 mm
A1	11 mm
B	31 mm
J	64 mm
L	86 mm
N	12 mm
S	12,7 mm
Bolt (G)	M10
A2	15 mm
Weight	0,62 Kg
Basic dynamic load rating (C)	12,8 kN
Basic static load rating (C0)	6,65 kN

UCF202-10 Bearing 2D drawings and 3D CAD models