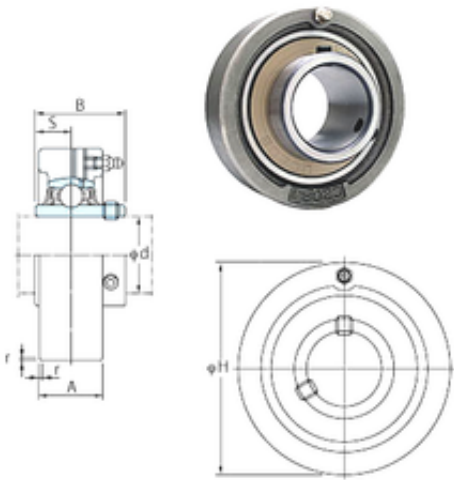


FYH UCC207-21 bearing units

Bearing No. UCC207-21



UCC207-21 Bearing 2D drawings and 3D CAD models

Bore Diameter	33,3375 mm
Width	42,9 mm
d	33,3375 mm
r	2 mm
A	28 mm
B	42,9 mm
H	90 mm
S	17,5 mm
Weight	0,93 Kg
Basic dynamic load rating (C)	25,7 kN
Basic static load rating (C0)	15,4 kN