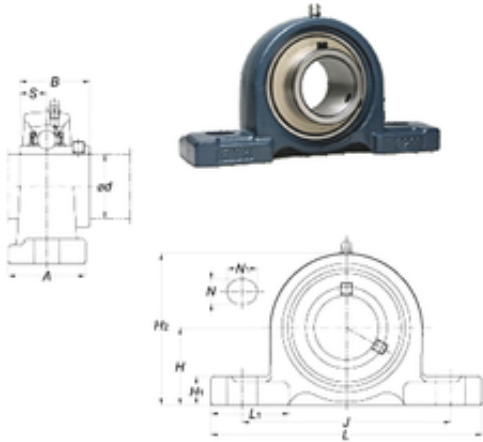


FYH UCP319 bearing units



Bearing No. UCP319

Bore Diameter	95 mm
Width	103 mm
d	95 mm
A	120 mm
B	103 mm
H	125 mm
H1	46 mm
H2	248 mm
J	360 mm
L	470 mm
L1	125 mm
N	36 mm
N1	50 mm
S	41 mm
Bolt (G)	M30
Weight	29 Kg
Basic dynamic load rating (C)	153 kN
Basic static load rating (C0)	119 kN
Category	Mounted Units & Inserts
Inventory	0.0
Manufacturer Name	FYH BEARING UNITS
Minimum Buy Quantity	N/A
Weight / Kilogram	0
Product Group	M06110

UCP319 Bearing 2D drawings and 3D CAD models