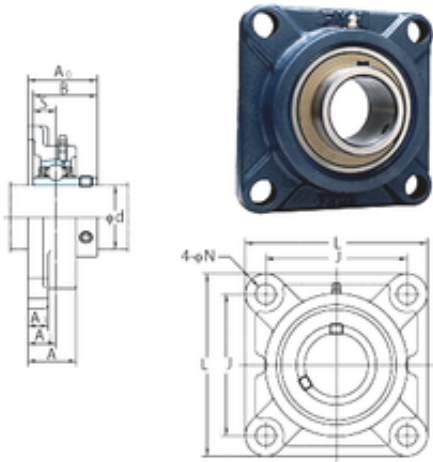


## FYH UCF319 bearing units



Bearing No. UCF319

Bore Diameter	95 mm
d	95 mm
A0	121 mm
A	94 mm
A1	30 mm
B	103 mm
J	228 mm
L	290 mm
N	35 mm
S	41 mm
Bolt (G)	M30
A2	59 mm
Weight	21,6 Kg
Basic dynamic load rating (C)	153 kN
Basic static load rating (C0)	119 kN
Category	Mounted Units & Inserts
Inventory	0.0
Manufacturer Name	FYH BEARING UNITS
Minimum Buy Quantity	N/A
Weight / Kilogram	0
Product Group	M06110

UCF319 Bearing 2D drawings and 3D CAD models