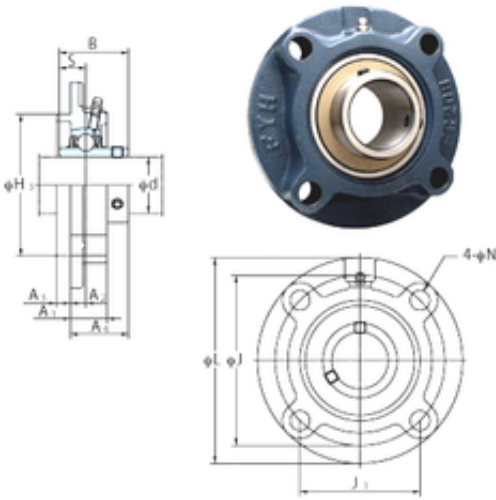


## FYH UCFCX08-24E bearing units

Bearing No. UCFCX08-24E



UCFCX08-24E Bearing 2D drawings and 3D CAD models

Bore Diameter	38,1 mm
d	38,1 mm
H3	92,075 mm
A4	39,2 mm
A1	26 mm
B	49,2 mm
J	111 mm
L	133 mm
N	12 mm
S	19 mm
Bolt (G)	M10
A2	9 mm
A3	11 mm
J1	78,5 mm
Weight	2 Kg
Basic dynamic load rating (C)	34,1 kN
Basic static load rating (C0)	21,3 kN
Category	Mounted Units & Inserts
Inventory	0.0
Manufacturer Name	FYH BEARING UNITS
Minimum Buy Quantity	N/A
Weight / Kilogram	2
Product Group	M06110