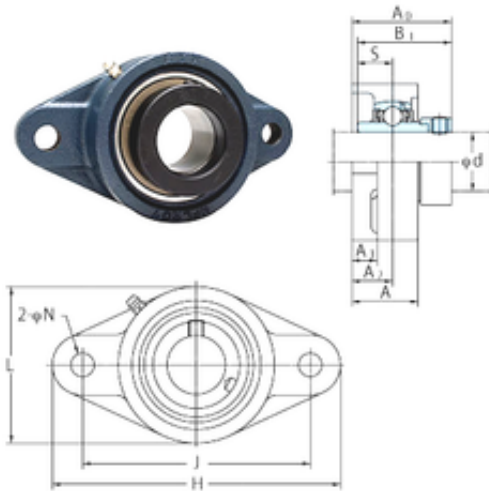


## FYH NANFL202-10 bearing units

Bearing No. NANFL202-10



NANFL202-10 Bearing 2D drawings and 3D CAD models

Bore Diameter	15,875 mm
d	15,875 mm
A0	45,6 mm
A	29,5 mm
A1	11 mm
B1	43,7 mm
H	113 mm
J	89,7 mm
L	60 mm
N	10 mm
S	17,1 mm
Bolt (G)	5/16
A2	19 mm
Weight	0,59 Kg
Basic dynamic load rating (C)	12,8 kN
Basic static load rating (C0)	6,65 kN