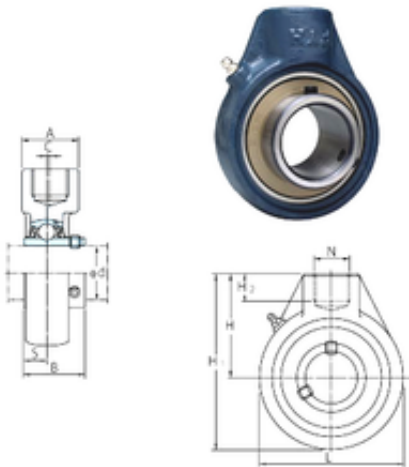


## FYH UCHA215 bearing units

Bearing No. UCHA215



UCHA215 Bearing 2D drawings and 3D CAD models

Bore Diameter	75 mm
Width	77,8 mm
d	75 mm
A	70 mm
B	77,8 mm
C	9,5 mm
H	117 mm
H1	200 mm
H2	32 mm
L	166 mm
S	33,3 mm
Bolt (G)	PF 1 1/2
Weight	5,6 Kg
Basic dynamic load rating (C)	67,4 kN
Basic static load rating (C0)	48,3 kN
Category	Hanger Unit Bearings
Inventory	0.0
Manufacturer Name	FYH BEARING UNITS
Minimum Buy Quantity	N/A
Weight / Kilogram	5.61
Product Group	M06110
Mounting Method	Set Screw
Housing Material	Cast Iron
Mounting Thread	1-1/2 Straight Pipe Female
Rolling Element	Ball Bearing
Insert Material	Steel



## NTN BEARING USA CORP.

Expansion / Non-expansion	Non-expansion
Housing Style	Hanger Unit
Relubricatable	Yes
Insert Part Number	UC215
Seals	Single Lip Contact
Rating	Normal Duty
Other Features	Single Row   Spherical   NBR Seal   Has Slinger
Long Description	75MM Bore; 117MM Base to Center Height; Set Screw; Hanger Unit; Cast Iron Housing; Ball Bearing; 166MM Housing Outside Diameter; 77.8MM Length Thru Bore; 200MM Housing Overall Length; Steel Insert; UC
Inch - Metric	Metric
Category	Mounted Hanger Units
UNSPSC	31171513
Harmonized Tariff Code	8483.20.40.40
Noun	Bearing
Keyword String	Hanger
Manufacturer URL	<a href="http://www.fyhbearings.com">http://www.fyhbearings.com</a>
Manufacturer Item Number	UCHA215
Weight / LBS	12.346
Housing Overall Length	7.874 Inch   200 Millimeter
Base to Center Height	4.606 Inch   117 Millimeter
Housing Outside Diameter	6.535 Inch   166 Millimeter
Length Thru Bore	3.063 Inch   77.8 Millimeter
Bore	2.953 Inch   75 Millimeter