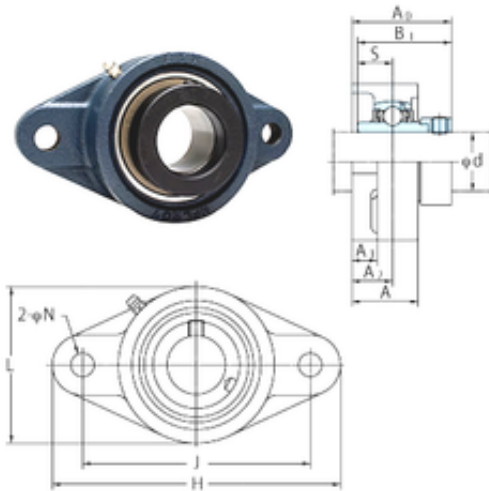


FYH NANFL206-20 bearing units

Bearing No. NANFL206-20



NANFL206-20 Bearing 2D drawings and 3D CAD models

Bore Diameter	31,75 mm
d	31,75 mm
A0	51,1 mm
A	34 mm
A1	13 mm
B1	48,4 mm
H	148 mm
J	116,7 mm
L	80 mm
N	12 mm
S	18,3 mm
Bolt (G)	3/8
A2	21 mm
Weight	1,1 Kg
Basic dynamic load rating (C)	19,5 kN
Basic static load rating (C0)	11,3 kN