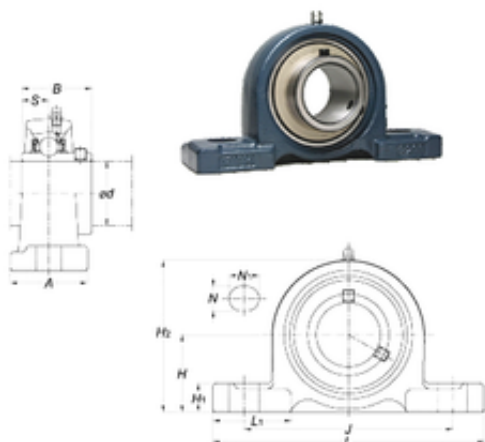


FYH UCP308-24 bearing units



Bearing No. UCP308-24

Bore Diameter	38,1 mm
Width	52 mm
d	38,1 mm
A	60 mm
B	52 mm
H	60 mm
H1	19 mm
H2	118 mm
J	170 mm
L	220 mm
L1	65 mm
N	17 mm
N1	27 mm
S	19 mm
Bolt (G)	M14
Weight	3,8 Kg
Basic dynamic load rating (C)	40,7 kN
Basic static load rating (C0)	24 kN

UCP308-24 Bearing 2D drawings and 3D CAD models