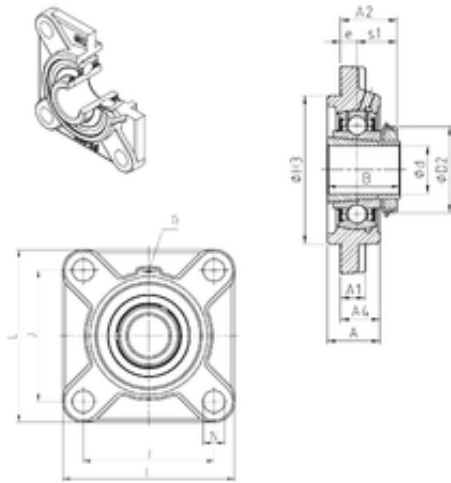


SNR UKFS328H bearing units

Bearing No. UKFS328H



UKFS328H Bearing 2D drawings and 3D CAD models

Bore Diameter	125 mm
d	125 mm
H3	400 mm
A4	95 mm
e	45 mm
s1	73 mm
A	125 mm
A1	55 mm
B	131 mm
D2	180 mm
J	350 mm
L	450 mm
N	41 mm
Thread (G)	M10x1
A2	118 mm
Weight	98,7 Kg
Basic dynamic load rating (C)	275 kN