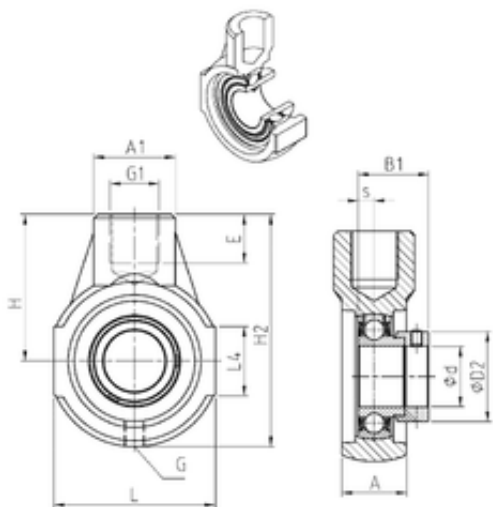




# NTN BEARING USA CORP.

## SNR ESEHE201 bearing units

Bearing No. ESEHE201



ESEHE201 Bearing 2D drawings and 3D CAD models

|                               |         |
|-------------------------------|---------|
| Bore Diameter                 | 12 mm   |
| d                             | 12 mm   |
| L4                            | 38 mm   |
| s                             | 6,5 mm  |
| A                             | 25 mm   |
| A1                            | 30 mm   |
| B1                            | 28,6 mm |
| D2                            | 28,6 mm |
| E                             | 21 mm   |
| G1                            | M16 mm  |
| H                             | 58 mm   |
| H2                            | 91 mm   |
| L                             | 65 mm   |
| Thread (G)                    | M6x1    |
| Weight                        | 0,5 Kg  |
| Basic dynamic load rating (C) | 9,55 kN |
| A2                            | 30 mm   |
| B                             | 19 mm   |
| A5                            | 12.5 mm |
| d1                            | 27.2 mm |
| G                             | M6x1    |
| L1                            | 58 mm   |
| L3                            | 38 mm   |
| s1                            | 23 mm   |
| S                             | 6.5 mm  |
| SW                            | 3 mm    |



## NTN BEARING USA CORP.

|   |         |
|---|---------|
| C   | 9.55 kN |
| C0  | 4.78 kN |
| T min.                                      | -20 ° C |
| T max.                                      | 100 ° C |
| Recommended tightening torque for set screw | 5.5 Nm  |
| Designation of housing                      | EHE203- |
| Designation of bearing                      | ES201G2 |