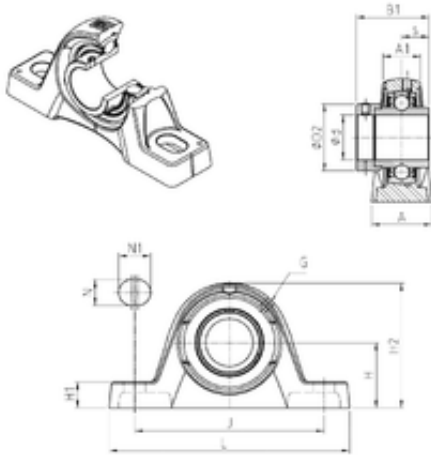


## SNR EXPLE209 bearing units

Bearing No. EXPLE209



EXPLE209 Bearing 2D drawings and 3D CAD models

Bore Diameter	45 mm
d	45 mm
s	21,4 mm
A	54 mm
A1	35 mm
B1	56,3 mm
D2	63,5 mm
H	52,4 mm
H1	18,4 mm
H2	106,4 mm
J	151,5 mm
L	197,5 mm
N	14 mm
N1	24 mm
Thread (G)	M6x1
Weight	2,4 Kg
Basic dynamic load rating (C)	31,85 kN