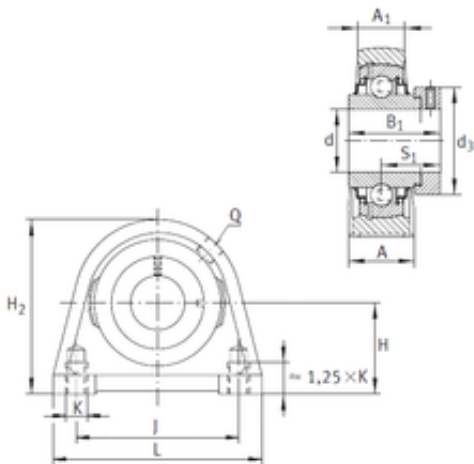


## INA RSHE60-N bearing units

Bearing No. RSHE60-N



RSHE60-N Bearing 2D drawings and 3D CAD models

Bore Diameter	60 mm
d	60 mm
Thread (Q)	Rp1/8
Thread (K)	M16
d3	84 mm
A	60 mm
A1	42 mm
B1	77,9 mm
H	69,9 mm
H2	140 mm
J	118 mm
L	150 mm
S	46,9 mm
Weight	4,54 Kg
Basic dynamic load rating (C)	52 kN
Category	Pillow Block Bearings
Inventory	0.0
Manufacturer Name	SCHAEFFLER GROUP
Minimum Buy Quantity	N/A
Weight / Kilogram	0
EAN	4012802835823
Product Group	M06110
Number of Mounting Holes	2
Mounting Method	Eccentric Collar
Housing Style	2 Bolt Tap Base Pillow Block
Rolling Element	Ball Bearing



## NTN BEARING USA CORP.

Housing Material	Cast Iron
Expansion / Non-expansion	Non-expansion
Mounting Bolts	16 Millimeter
Relubricatable	Yes
Insert Part Number	GE60KRRB
Seals	Double Land Riding Rubber Contact
Housing Configuration	1 Piece Solid
Inch - Metric	Metric
Other Features	Single Row   With Set Screw
Long Description	2 Bolt Tap Base Pillow Block; 60MM Bore; 70MM Base to Center Height; Eccentric Collar Mount; Ball Bearing; Relubricatable; Cast Iron; Double Land Riding Rubber Contact; Non-expansion
Category	Pillow Block
UNSPSC	31171511
Harmonized Tariff Code	8483.20.40.40
Noun	Bearing
Keyword String	Pillow Block
Manufacturer URL	<a href="http://www.ina.com">http://www.ina.com</a>
Manufacturer Item Number	RSHE60N
Weight / LBS	10.009
Actual Bolt Center to Center	4.6 Inch   117.5Millimeter
Base to Center Height	2.756 Inch   70 Millimeter
Bolt Spacing Minimum	0 Inch   0Millimeter
Bolt Spacing Maximum	0 Inch   0Millimeter
Length Thru Bore	3.067 Inch   77.9 Millimeter
Bore	2.362 Inch   60 Millimeter
Nominal Bolt Center to Center	4.6 Inch   118 Millimeter



# NTN BEARING USA CORP.