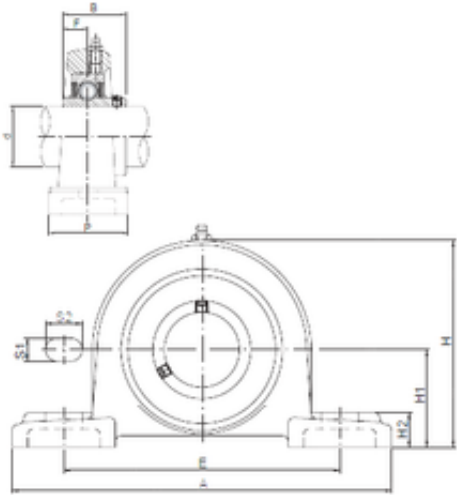




# NTN BEARING USA CORP.

## ISO UCP314 bearing units

Bearing No. UCP314



UCP314 Bearing 2D drawings and 3D CAD models

Bore Diameter	70 mm
d	70 mm
S1	27 mm
P	90 mm
A	360 mm
B	78 mm
E	280 mm
F	33 mm
H	187 mm
H1	95 mm
H2	35 mm
S2	40 mm
Bolt (G)	M22