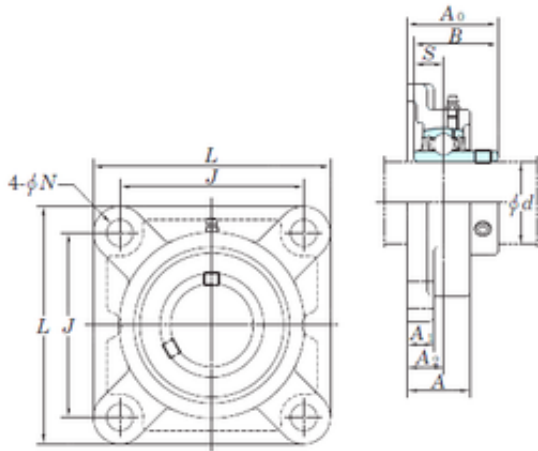


## KOYO UCF322 bearing units



Bearing No. UCF322

Bore Diameter	110 mm
d	110 mm
A0	131 mm
A	96 mm
A1	35 mm
B	117 mm
J	266 mm
L	340 mm
N	41 mm
S	46 mm
Bolt (G)	M36
A2	60 mm
Weight	35,3 Kg
Basic dynamic load rating (C)	205 kN
Basic static load rating (C0)	180 kN
Bearing No.	UCF322
Bolt size	M36
Cr	205
C0r	180
f0	13.2
(Refer.)Unit mass(kg)	35.3
Nipple size	R1/8

UCF322 Bearing 2D drawings and 3D CAD models