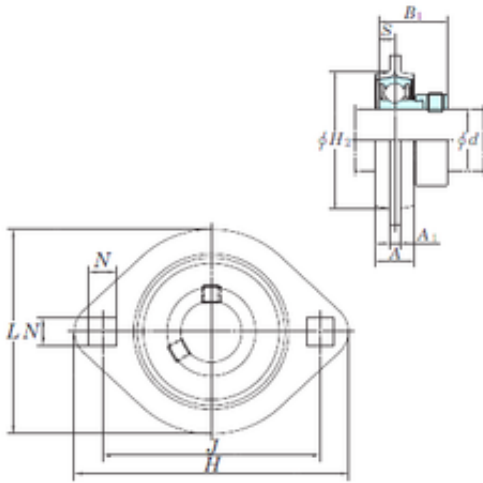


KOYO SAPFL201-8 bearing units

Bearing No. SAPFL201-8



SAPFL201-8 Bearing 2D drawings and 3D CAD models

Bore Diameter	12,7 mm
Width	28,5 mm
d	12,7 mm
A	14 mm
A1	4 mm
B	28,5 mm
H	81 mm
H2	49 mm
J	63,5 mm
L	59 mm
N	7,1 mm
S	6 mm
Bolt (G)	M6
Weight	0,22 Kg
Basic dynamic load rating (C)	9,55 kN
Basic static load rating (C0)	4,8 kN